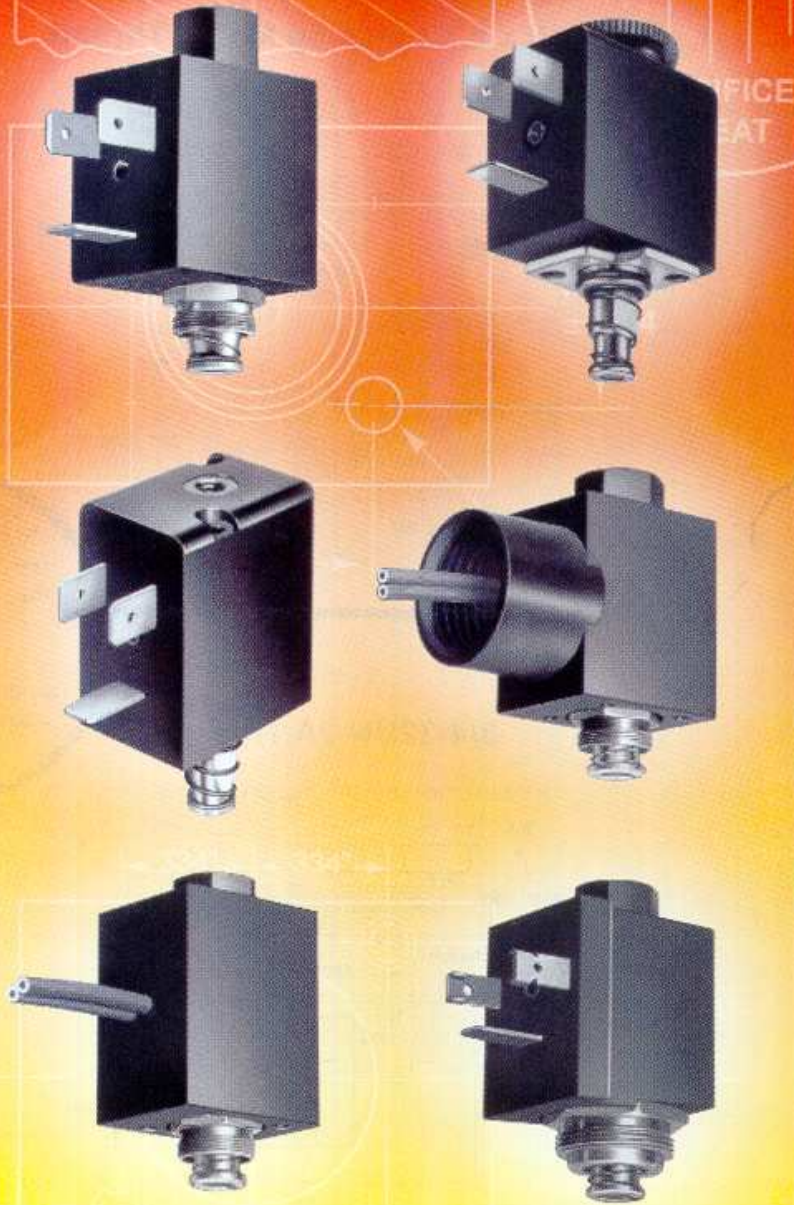


Decco Pilots



for your
pneumatic valves

Decco Pilots answer the pneumatic valve manufacturer's need for a reliable, compact, low wattage OEM valve operator.

Available in a variety of AC and DC models, Decco Pilots offer a choice of DIN 43650, ISO, 1/2" pipe spud or 12" lead electrical connections.

Four different mounting styles (M-12 Thread Stem, 3/4" Thread Stem, Clamp Plate and Screw Mount), make the Decco Pilot adaptable to a wide range of valves. All models are rated for continuous service and utilize class 130°C insulation.

Our low cost 450 Series Screw Mount Pilot is securely held in position by two standard M3 X 0.5 mounting screws which run through its entire molded coil assembly. Simple in design and easy to install, This 6.5w AC or DC unit has ISO electrical connections.

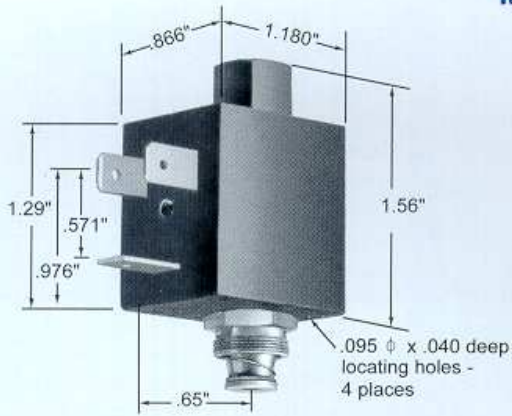
Decco Pilots are usually built three-way/normally closed. The addition of an alternate connection at the top can convert them to three-way/normally open. Two-way/normally closed models are also available.

All pilots shown here are standard, but special modifications can be made to meet your requirements.

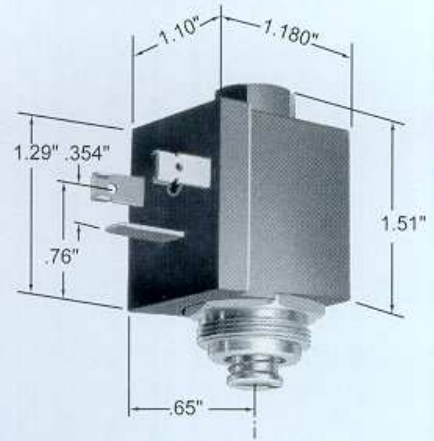
MODEL NUMBERS		
M-12 THREAD STEM	6 Watt AC	6 Watt DC
DIN 43650	P-206	P-264
Pipe Spud	P-204	P-265
Wire Leads	P-221	P-266
ISO	P-424	P-425
3/4" THREAD STEM	6 Watt AC	6 Watt DC
DIN 43650	P-209	P-267
Pipe Spud	P-216	P-268
Wire Leads	P-228	P-269
ISO	P-432	P-433
CLAMP PLATE	5 Watt AC	5 Watt DC
ISO	P-550	P-553
Wire Leads	P-551	P-554
Pipe Spud	P-552	P-555
450 SERIES SCREW MOUNT	6.5 Watt AC	6.5 Watt DC
ISO	P-455	P-451

SPECIFICATIONS			
	M-12 & 3/4" THREAD STEM	CLAMP PLATE	450 SERIES SCREW MOUNT
INSULATION RATING	130°C	130°C	130°C
WATTAGE AC	6W Holding	5W Holding	6.5W Holding
WATTAGE DC	6W Holding	5W Holding	6.5W Holding
SEALS	Buna N (525L)	Viton	Buna N (525L)
TEMPERATURE RISE	70°C Max for 6W	70°C Max for 5W	70°C Max
VOLTAGE AC (Standard)	24-50/60, 110/50, 120/60, 220/50, 240/60		
VOLTAGE DC (Standard)	12, 24, 110 for 5W, 6W and 6.5W		
DUTY FACTOR	Continuous	Continuous	Continuous
STROKE (AC&DC)	.025 ± .003" (6W)	.020 ± .003" (5W)	.020 ± .003"
ORIFICE DIAM. (INLET)	.031 - .062 (6W)	.031 - .062 (5W)	.062 Max
ORIFICE DIAM. (EXHAUST)	.031 - .062 (6W)	.031 - .062 (5W)	.062 Max
EXHAUST ORIFICE THREAD	10-32 X .190 (No thread on 1/2W)	10-32 X .190 (No thread on 1/2W)	10-32 X .190
"O" RINGS	5-682-N674-7 (M-12) 5-643-N674-7 (3/4")	5-718-V884-75	2-015-N674-70
INLET PRESSURE (MIN)	2 Bar-29psi (6W)	2 Bar-29psi (5W)	2 Bar-29psi
INLET PRESSURE (MAX)	10.3 Bar-150psi (6W)	10.3 Bar-150psi (5W)	10.3 Bar-150psi
WIRE LEADS	Stranded, 18 ga., 12"	Stranded, 18 ga., 12"	ISO Only
NEMA 4 CONSTRUCTION	Standard	Standard	Available

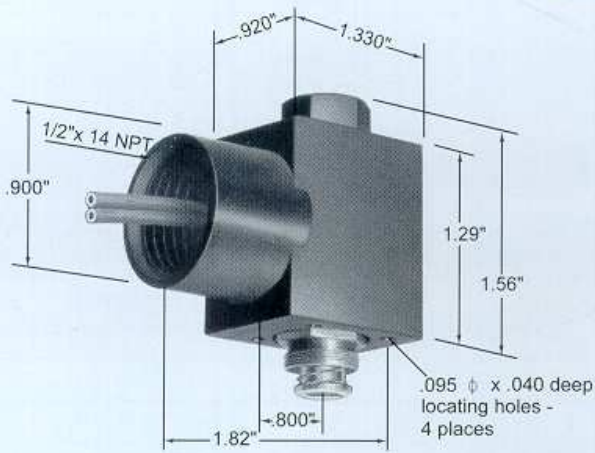
M-12



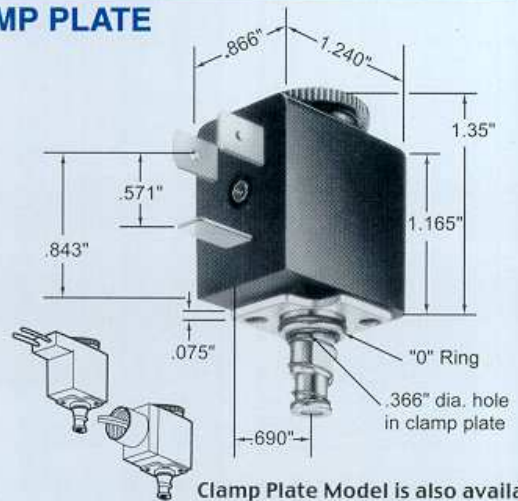
3/4"



M-12

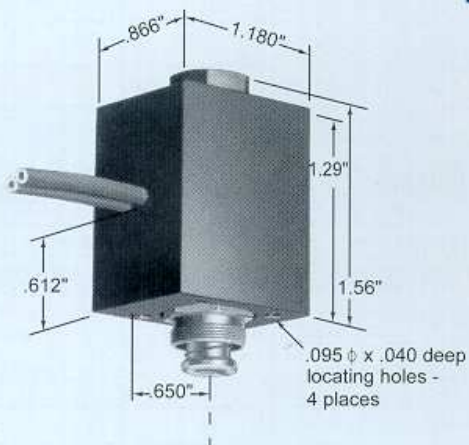


CLAMP PLATE

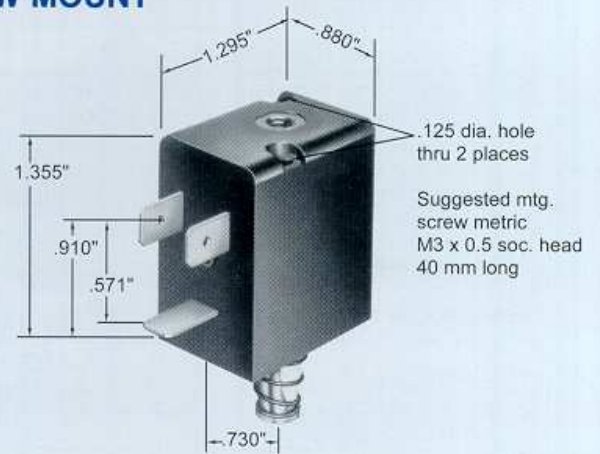


Clamp Plate Model is also available with Wire Leads or 1/2-14 NPT Pipe Spud.

M-12

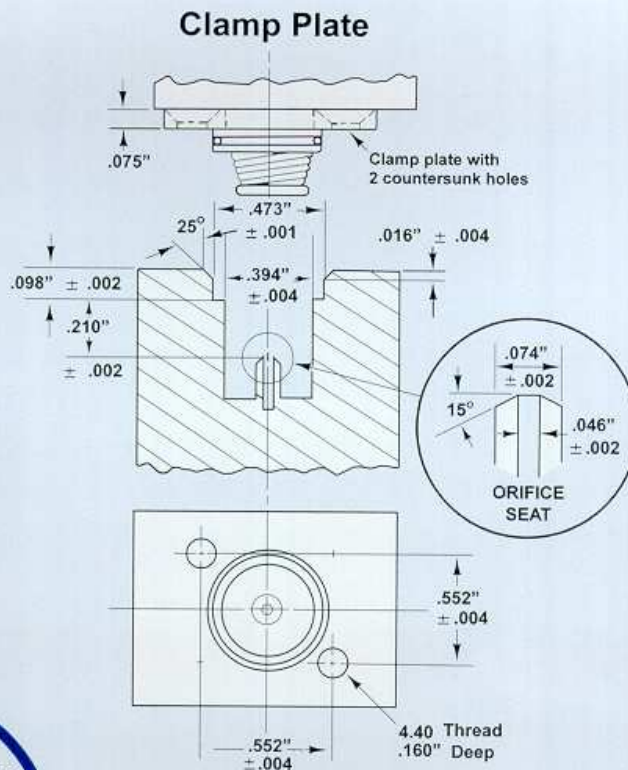
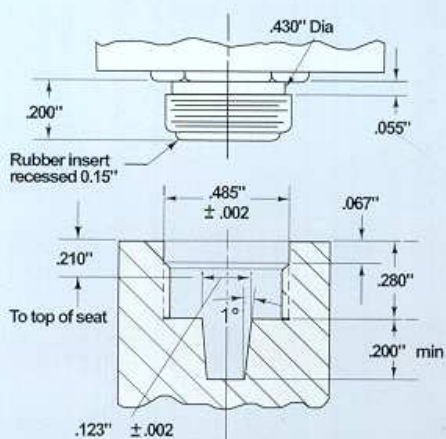


SCREW MOUNT

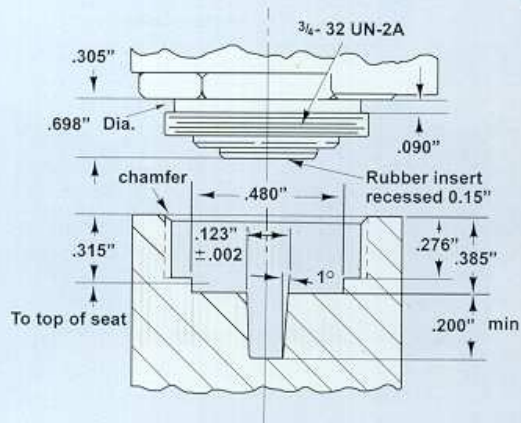


RECOMMENDED DIMENSIONS FOR ORIFICE SEAT AND CAVITY

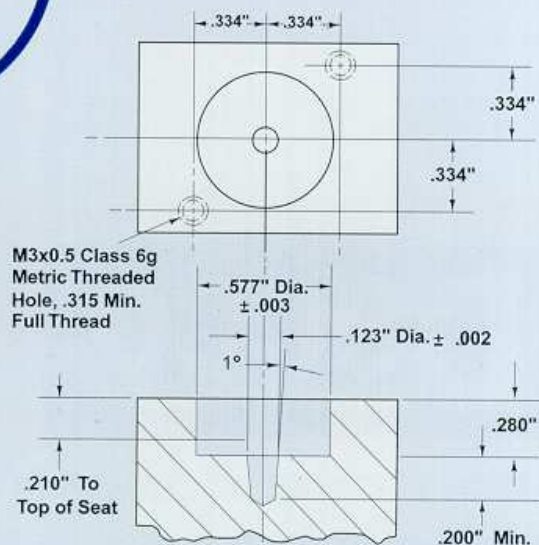
M12 x 0.5 Class 6g Metric Thread

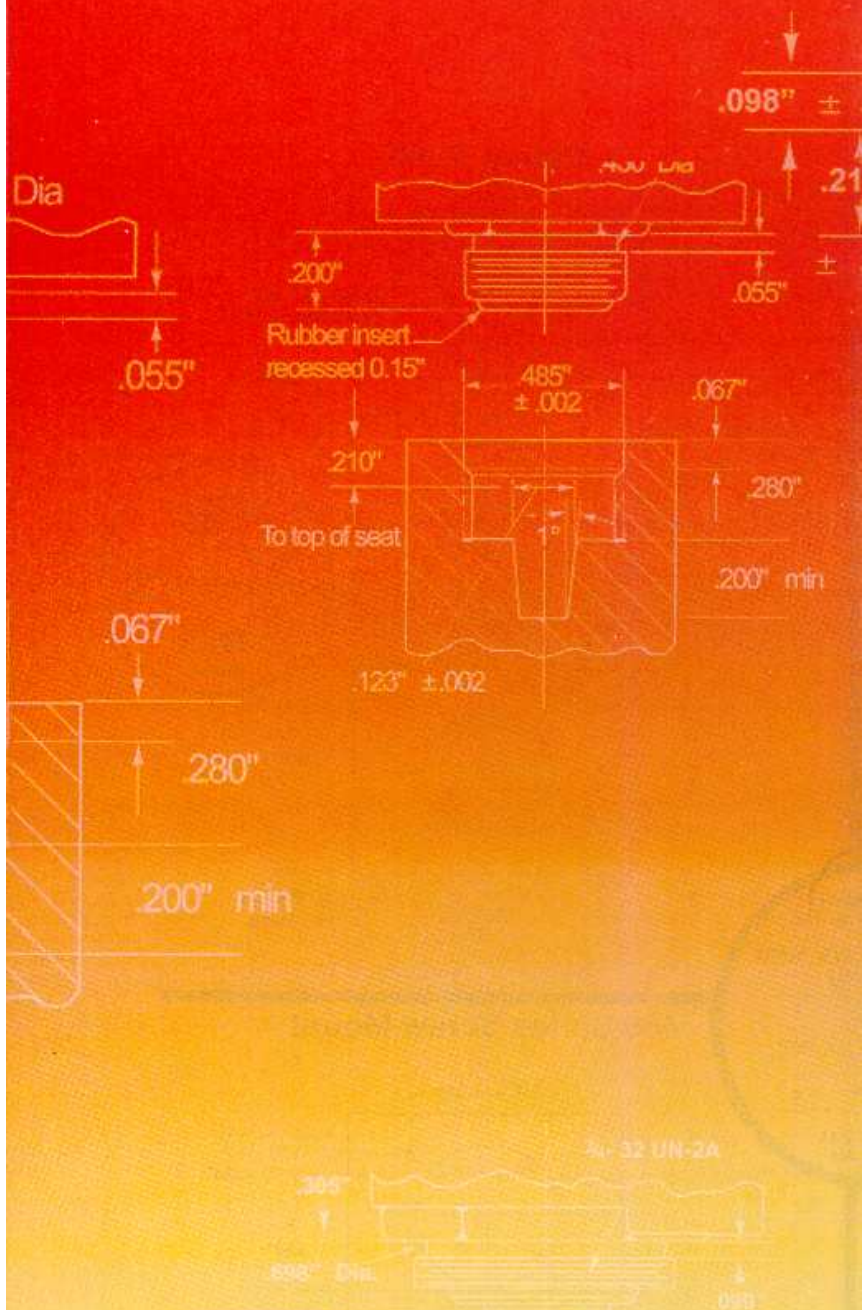


3/4-32UN-2A Thread



450 Series Screw Mount





DETROIT COIL COMPANY

2435 Hilton Road • Ferndale, Michigan 48220

Phone: (248) 398-5600

Fax: (248) 398-0481

Email: decco@detroitcoil.com

Website: www.detroitcoil.com